

# Dolphin MSC PCIe Cable Data Sheet

## PCIe Gen3 x4 SFF-8644 copper cables

Dolphin provides MiniSAS HD cables that support non-transparent and transparent connections using Dolphin's adapters. The Dolphin cables are copper cables with various lengths up to 5M. These cables don't support CMI used for sideband signaling, but enable host to host communication.



### Features

- Cable lengths .5m to 5m
- x4 PCIe Gen 3 support
- 100 Ohm Cable PVC
- Conforms to the mechanical dimensioning requirements of SFF-8644
- 2 EEPROMs
- RoHS compliant

### Part Numbers

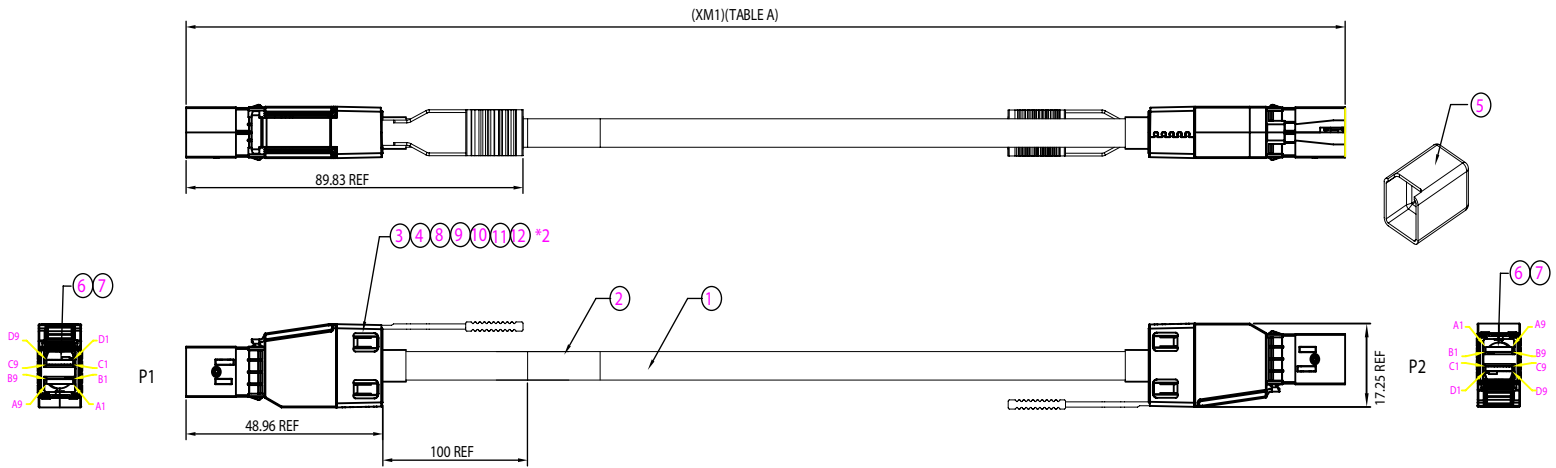
Part	Length
MSC0M	.5 Meter
MSC1M	1 Meter
MSC2M	2 Meter
MSC3M	3 Meter
MSC5M	5 Meter

### Pin-Out

External PCIe x4 Cable Pin-out									
Row	9	8	7	6	5	4	3	2	1
D	GND	PETn2	PETp2	GND	PETn1	PETp1	GND	MGTPWR	PWR
C	GND	PETn3	PETp3	GND	PETn0	PETp0	GND	CMISDA	CMISCL
B	GND	PERn2	PERp2	GND	PERn1	PERp1	GND	CBLPRSNT#	PWR
A	GND	PERn3	PERp3	GND	PERn0	PERp0	GND	CINT#	CADDR



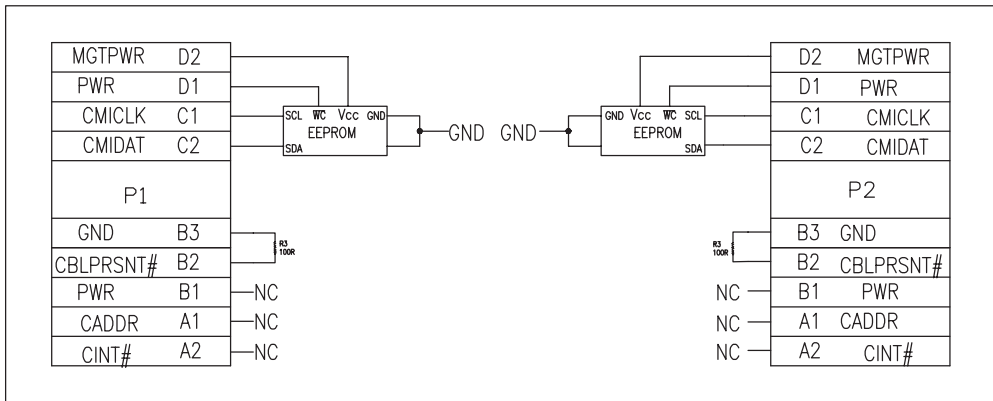
.5 to 5 Meter cable drawing



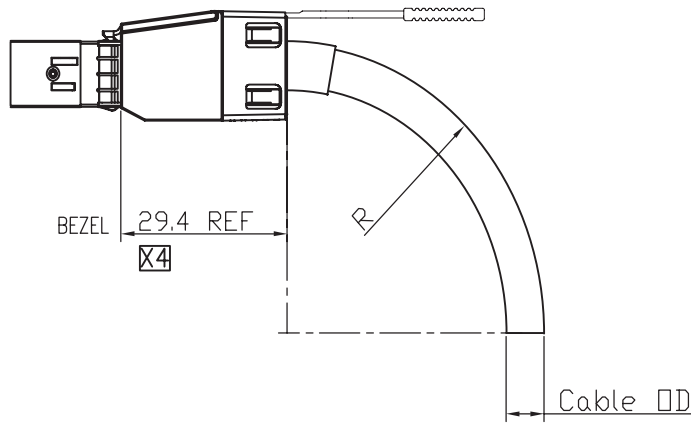
REF =MM

ITEM	NAME	QTY	DESCRIPTION
12	EEPROM	2	EEPROM, 2K, 24C02
11	HEATSHRINK	A/R	HEATSHRINK, TUBING
10	EMI SPRING	4	EMI SPRING
9	PULL TAB	2	PULL TAB
8	SHELL CLIP LATCH	2	CLIP FOR SFF-8644
7	PCB	2	EXT HD PCB A,B
6	PCB	2	EXT HD PCB C,D
5	DUST COVER	2	DUST COVER, PE, NATURAL
4	INNER MOLD	2	INNER MOLDING FOR EXT HD
3	SHELL	4	TOP, BOTTOM, SHELL FOR SFF-8644
2	LABEL	1	CABLE ID LABEL
1	RAW CABLE	A/R	8 PX28AWG, 8 PX30AWG, 100 Ohn PVC

## LOW SPEED CONTROL

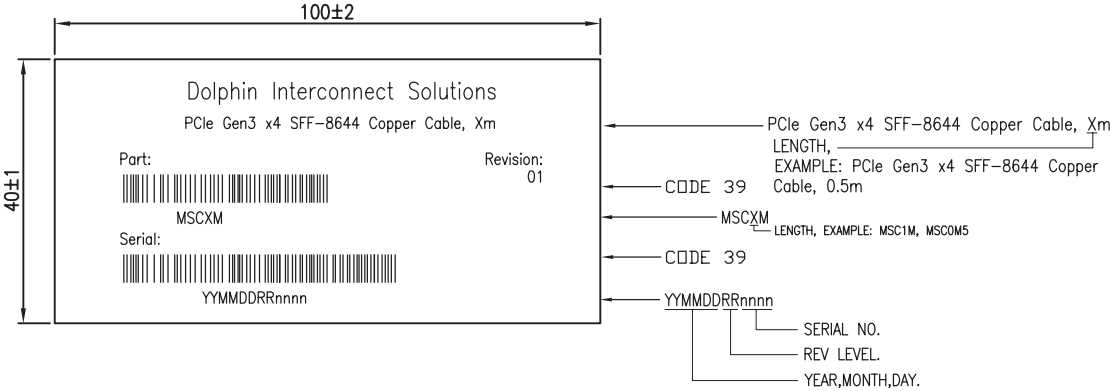


.5 - 5 Meter



Length	Cable Gauge	Cable "OD"	Static Bend Radius "R"	Dynamic Bend Radius "R"
.5-3M	30AWG	6.6MM	33.0MM	66MM
5MM	28AWG	7.5MM	37.5MM	75MM

# LABEL INFORMATION



WIRE TYPE	XX AWG	XM1 LENGTH
PVC	30	500+/- 20
PVC	30	1000+/-30
PVC	30	3000+/- 40
PVC	28	5000+/-50